

Pneumatic Training Systems

Teaching and learning pneumatics in real-time

MF700-PN Pneumatic Training System



Teachers, you wanted a pneumatic training system with some “**must have**” features:

- **Must have** the ability to accept almost any, and every, type of pneumatic component, including your own.
- **Must have** the ability to adapt to any skill level from basics through electro-pneumatics.
- **Must have** industry-standard safety lockout valves: the same ones used in industry so you can teach your students to think safety and work safely.
- **Must have** a light-weight frame that is compact, rigid, mobile, and extremely durable.
- **Must have** been handcrafted with pride in the USA with unrivalled quality.
- **Must have** the ability to grow as your needs and budget grow.

*We love it when teachers know what they **must have** to teach pneumatics brilliantly.*

Plug-and-Play component mounting system:

All components store neatly along the bottom of the mounting panel. Each component is tagged with its appropriate ISO symbol. The student simply selects the component that corresponds with the symbol on a schematic and constructs the system - it's that simple!



Component storage slots on front of trainer allow quick and easy access to most commonly used components



Build completely operational pneumatic systems

Teach Basic Pneumatics today and Electro-Pneumatics tomorrow:

The unique panel design makes it possible to exchange front panels in literally seconds. Simply lift off the upper panel and exchange it with the lower panel - the upper panel is equipped for teaching basic pneumatics, and the upper panel for electro-pneumatics.



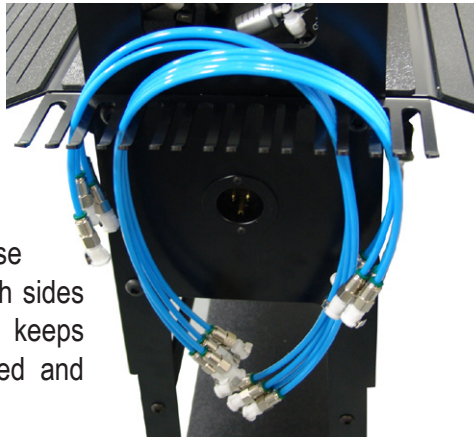
Pneumatic Training Systems

Teaching and learning pneumatics in real-time

MF700-PN Pneumatic Training System

Keep the work area clean and clutter free:

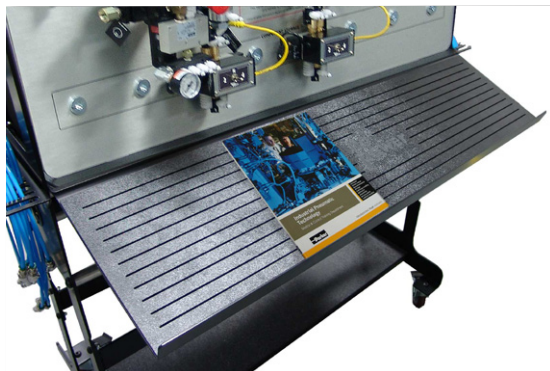
All hoses with quick-connect/disconnect valves are stored in a convenient rack.



Convenient hose storage on both sides of the trainer keeps hoses organized and out of the way

Lined work surface:

A convenient, lined, work surface provides a place for students to put their workbooks leaving their hands free to assemble and disassemble circuits.



Spacious front tray with lip allows students to build systems while working with their books and manuals

Your compressor or ours:

We can supply an air compressor, or you can simply plug the simulator into your local air supply. The on-board air filter, water separator, and pressure regulator, insures that the components operate at a safe pressure level, and that there is always a clean and water-free supply of air.

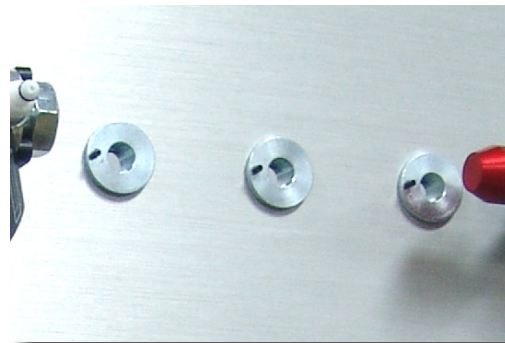
Today's safe students, tomorrow's safe workplace -

Pneumatic simulators in a school laboratory should be held to the same standard of safety as the pneumatic systems used in plants and factories, for one simple reason - today's safe students are tomorrow's safe technicians.

As with all FPTI™ products, the MF700-PN is equipped with the same safety lockout valves as those found in industry. The most desirable place for a student to learn safety is alongside a caring and concerned teacher.

Adapt any pneumatic component to the MF700-PN, even if it's not one of ours:

FPTI™'s unique, plug-in style mounting hardware makes it possible to mount *any component in either a vertical or horizontal position.



Unique valve locking design allows for easy on/off installation of valves and components

**to mount components other than those provided by FPTI,™ a special mounting adaptor will be required.*

And, it's a rather simple system to operate:

Plug it in to a standard 115V - single-phase receptacle, insert your Powerpoint CD, hand out the text books and simulator activity manuals to your students, and let the teaching and learning begin!

fluid power
TRAINING INSTITUTE™
www.fpti.org

Pneumatic Training Systems

Teaching and learning pneumatics in real-time

MF700-PN Pneumatic Training System

Shipping Specifications -

Shipping weight (does not include pallet and packaging):

Double-sided simulator - 113 kgs (250 lbs)

Single-sided simulator - 86 kgs (190 lbs)

Shipping dimensions:

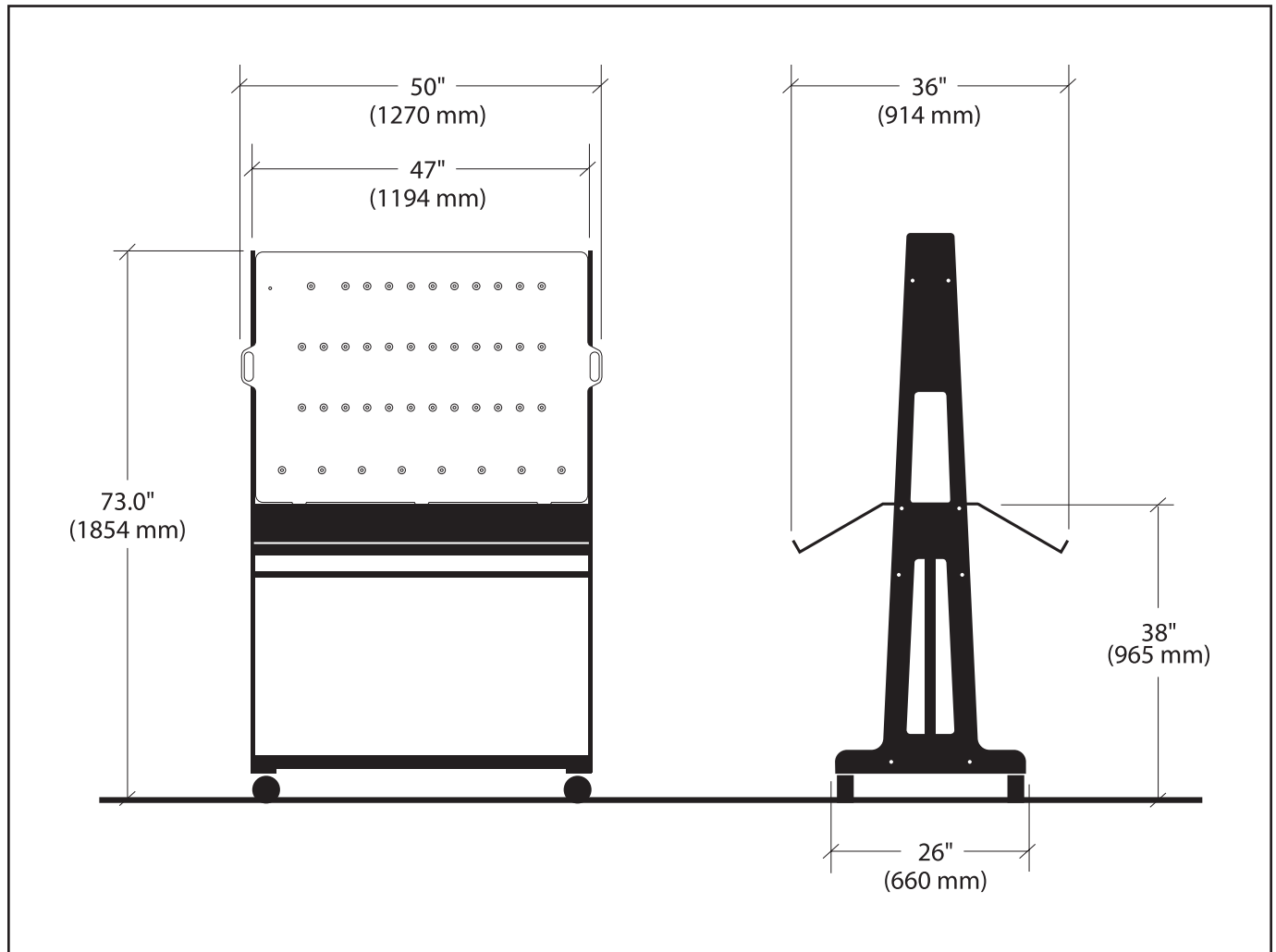
185 cm (73") tall x 127 cm (50") wide x 91 cm (36") deep

Course Materials and Visual Aids -

- Manual - Parker Corporation's "Pneumatic Technology for Industry"
- Visual Presentation - Pneumatic Technology for Industry Full-color, PowerPoint presentation on CD

Warranty -

FPTI™ warrants its products against defect in materials or workmanship for a period of two (2) years from date of delivery.



All FPTI™ simulators are available for operation at any voltage or frequency

fluidpower
TRAINING INSTITUTE™
www.fpti.org